



TRANSFORMER SPECIFICATIONS

Please read carefully before installation

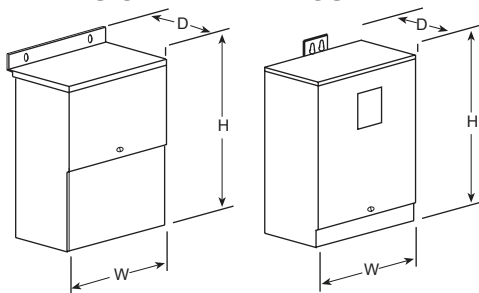
T-BB Series Transformers



120 X 240 PRIMARY VOLTS — 12/24 SECONDARY VOLTS — 60 Hz

PRODUCT #	INSULATING TRANSFORMER RATING	SECONDARY MAXIMUM CURRENT OUTPUT		APPROX. DIMENSIONS INCHES (CM.)			APPROX. NET WEIGHT LBS. (KG.)	DIMENSIONAL DRAWINGS
		12V	24V	HEIGHT	WIDTH	DEPTH		
T-BB-100	0.10 KVA	8.32	4.16	7.16 (18.2)	3.89 (9.9)	3.67 (9.3)	5 (2.3)	A
T-BB-150	0.15 KVA	2.52	6.25	7.16 (18.2)	3.89 (9.9)	3.67 (9.3)	7 (3.2)	A
T-BB-250	0.25 KVA	20.80	10.40	8.68 (22.0)	4.08 (10.4)	3.88 (9.9)	10 (4.5)	B
T-BB-500	0.50 KVA	41.60	20.80	9.06 (23.0)	4.37 (11.1)	4.20 (10.7)	15 (6.8)	B
T-BB-750	0.75 KVA	62.50	31.25	9.68 (24.6)	4.75 (12.1)	4.51 (11.5)	19 (8.6)	B
T-BB-1000	1.00 KVA	83.20	41.60	10.50 (26.7)	5.50 (14.0)	5.13 (13.0)	24 (10.9)	B
T-BB-1500	1.50 KVA	125.00	62.50	11.62 (29.5)	5.50 (14.0)	5.13 (13.0)	30 (13.6)	B
T-BB-2000	2.00 KVA	166.00	83.20	13.00 (33.0)	5.50 (14.0)	5.13 (13.0)	38 (17.2)	B

DIMENSIONAL DRAWINGS



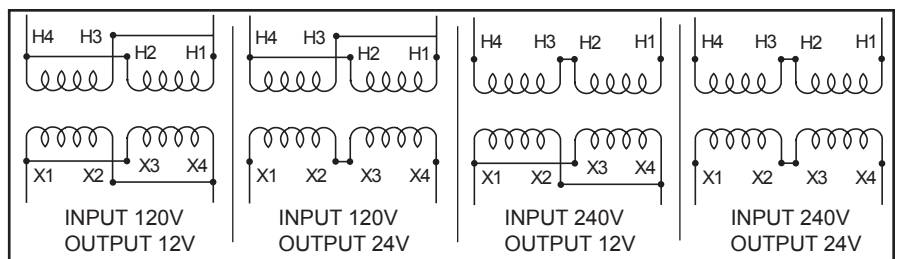
DESIGN A

DESIGN B

Totally enclosed and suitable for UL 3R outdoor service.

LOW VOLTAGE LIGHTING WIRING DIAGRAMS

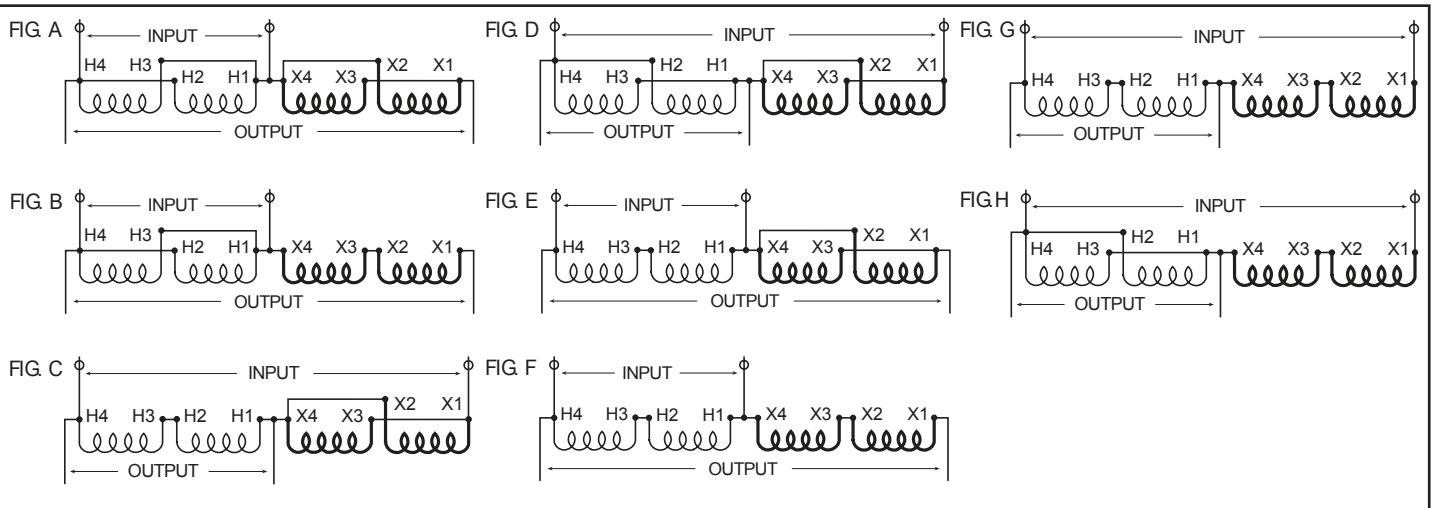
SINGLE PHASE



All units have ground studs for use with non-metallic conduit. All sizes of 0.75 KVA and less are suitable for 50/60 Hertz. Additional field wiring box may be required when using units as autotransformers.

BUCK-BOOST WIRING DIAGRAMS

SINGLE PHASE



Visit Corona Lighting's Web Site @ www.coronalighting.com for complete products information.
Corona Lighting, Inc. ; Los Angeles, California

© All Rights Reserved • Unauthorized duplication is a violation of applicable laws.